



WOLF



CE

Wolfloader.com

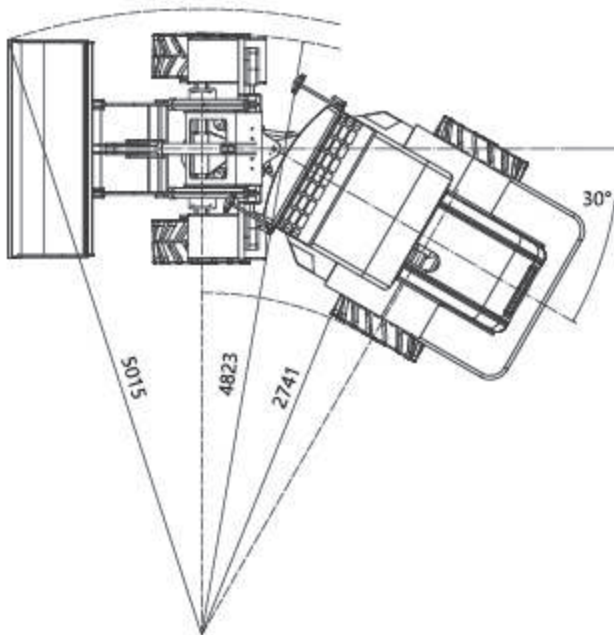
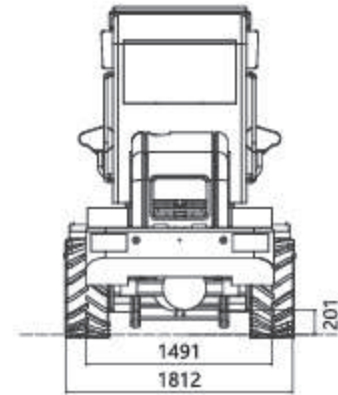
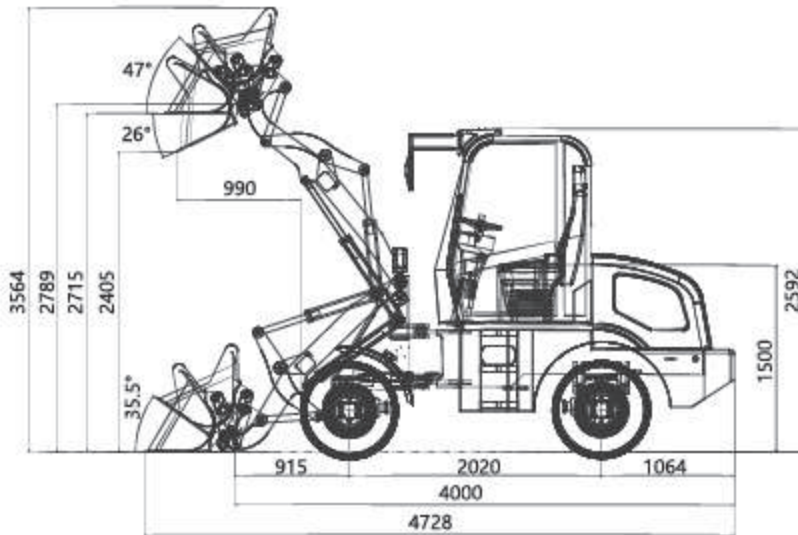
WHEEL LOADER

WL100



Specifications

Engine Model:	CHANGCHAI 490
Rated Power(kw):	39
Rated Speed(rpm):	2400
Rated load(kg):	1000
Rated Bucket Capacity(m3):	0.4-0.6
Overall Size LxWxH(mm):	4728×1700×2600
Wheel base (mm):	2020
Wheel thread(mm):	1490
Max.breakout force (KN):	40
Max.dump height(mm):	2405
Dump distance(mm):	990
Total time(s):	9.5
Operating Weight(kg):	3300
Tyre:	825-16/1200-16/31×15.5-15/20.5-16



DESCRIPTION

The pushbutton-actuated skid-steer-style coupler lets an operator attach and release attachments quickly from the seat. Optional Euro standard quick coupler such as John Deere, Bobcat can be used.





QINGDAO ZONGJIN ENGINEERING MACHINERY CO.,LTD. [MAINLAND]

WOLF EQUIPMENT PTE.LTD. [SINGAPORE]



TEL: 0086-532-66739792

FAX: 0086-532-66739791

info@chinawheelloaders.com

WHATSAPP: 0086-13589171650

NO.88 CHUNYANG RD,CHENGYANG,
QINGDAO,CHINA

www.wolfloader.com