



WOLF



CE

Wolfloader.com

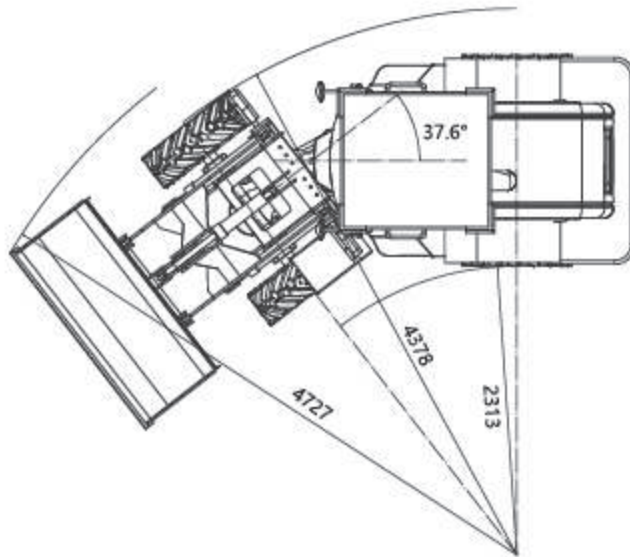
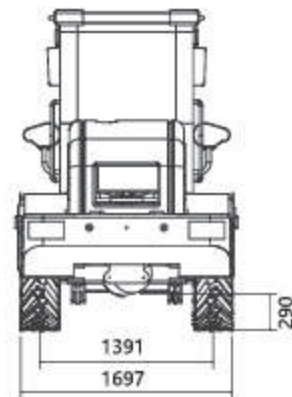
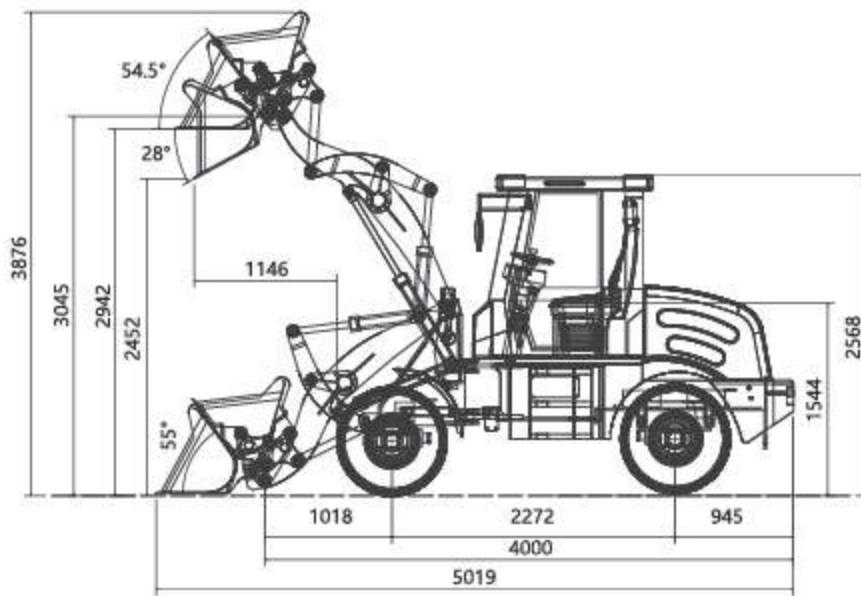
WHEEL LOADER

WL150



Specifications

Engine Model:	XINCHAI C490BPG E3
Rated Power(kw):	36.8
Rated Speed(rpm):	2650
Rated load(kg):	1500
Rated Bucket Capacity(m3):	0.5-0.9
Overall Size LxWxH(mm):	5100×1700×2580
Wheel base (mm):	2272
Wheel thread(mm):	1391
Max.breakout force (KN):	48
Max.dump height(mm):	2452
Dump distance(mm):	1146
Total time(s):	11
Operating Weight(kg):	3600
Tyre:	1200-16/12-16.5/20.5/70-16/23.5-16



DESCRIPTION

Like their green-and-yellow siblings, these loaders are right at home on the farm. Equipped with bale spear, forks, or buckets, these highly maneuverable machines handle a multitude of chores.





QINGDAO ZONGJIN ENGINEERING MACHINERY CO.,LTD. [MAINLAND]

WOLF EQUIPMENT PTE.LTD. [SINGAPORE]



TEL: 0086-532-66739792

FAX: 0086-532-66739791

info@chinawheelloaders.com

WHATSAPP: 0086-13589171650

NO.88 CHUNYANG RD,CHENGYANG,
QINGDAO,CHINA

www.wolfloader.com