



WOLF



CE

Wolfloader.com

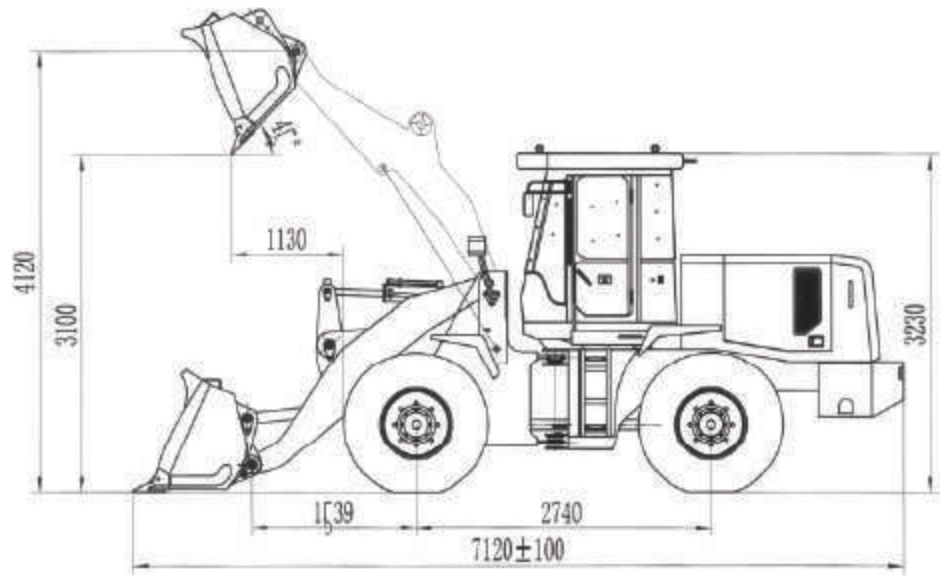
WHEEL LOADER

WL300



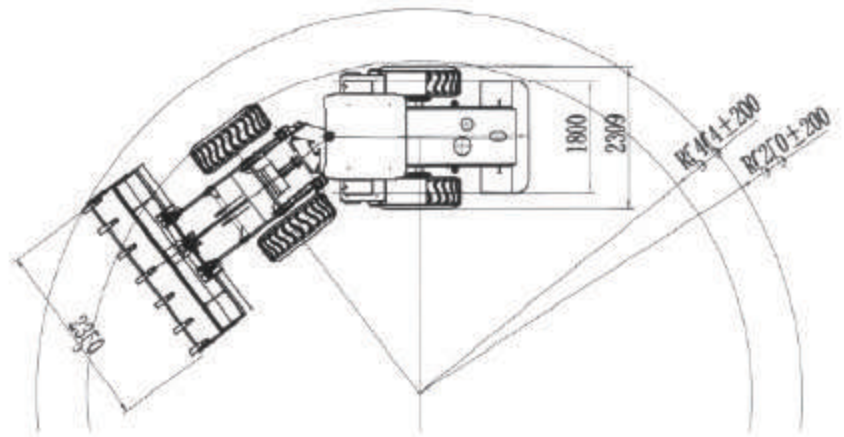
Specifications

Engine Model:	WEICHAI WP6G
Rated Power(kw):	92
Rated Speed(rpm):	2200
Rated load(kg):	3000
Rated Bucket Capacity(m3):	1.7-2.5
Overall Size LxWxH(mm):	7180x2370x3200
Wheel base (mm):	2660
Wheel thread(mm):	1800
Max.breakout force (KN):	127
Max.dump height(mm):	3100
Dump distance(mm):	1006
Total time(s):	9.15
Operating Weight(kg):	10000
Tyre:	17.5-25



DESCRIPTION

- Ventilation window with different opening angles for fresh air circulation as needed
- Wide door opening and step geometry for safe and convenient entry
- Spacious interior with ergonomic operator's controls





QINGDAO ZONGJIN ENGINEERING MACHINERY CO.,LTD. [MAINLAND]

WOLF EQUIPMENT PTE.LTD. [SINGAPORE]



TEL: 0086-532-66739792

FAX: 0086-532-66739791

info@chinawheelloaders.com

WHATSAPP: 0086-13589171650

NO.88 CHUNYANG RD,CHENGYANG,
QINGDAO,CHINA

www.wolfloader.com