



WOLF



CE

Wolfloader.com

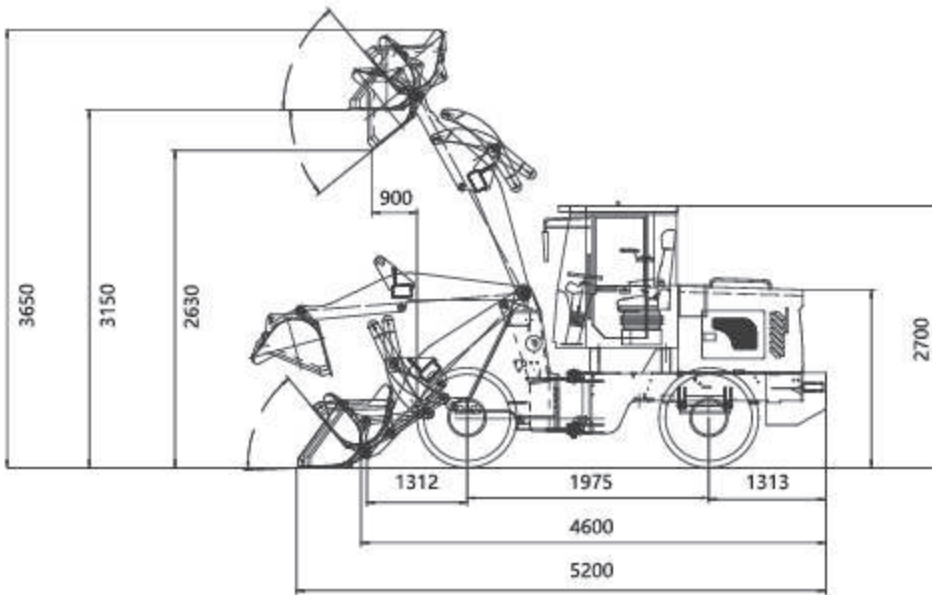
WHEEL LOADER

WL922



Specifications

Bucket Capacity (Cbm):	0.9-1.1
Rated Load (Kg):	1600
Overall Weight (Kg):	3300
Max. Dumping Height (mm):	2850/3200
Standard Engine:	CHANGCHAI 490
Rated Power (Kw):	39
Rated Speed (R/min):	2400
Optional Engine:	XI CHAI/XIN CHAI
Wheel Base (mm):	1975
Wheel Thread (mm):	1400
L×W×H (mm):	5200×1750×2700
Standard tire:	20.5-16
Option Tire:	31×15.5-15
Max .Driving Speed (km/h):	18-20



DESCRIPTION

Depending on customers' different working environment, we can use Donaldson filters.





QINGDAO ZONGJIN ENGINEERING MACHINERY CO.,LTD. [MAINLAND]

WOLF EQUIPMENT PTE.LTD. [SINGAPORE]



TEL: 0086-532-66739792

FAX: 0086-532-66739791

info@chinawheelloaders.com

WHATSAPP: 0086-13589171650

NO.88 CHUNYANG RD,CHENGYANG,
QINGDAO,CHINA

www.wolfloader.com