



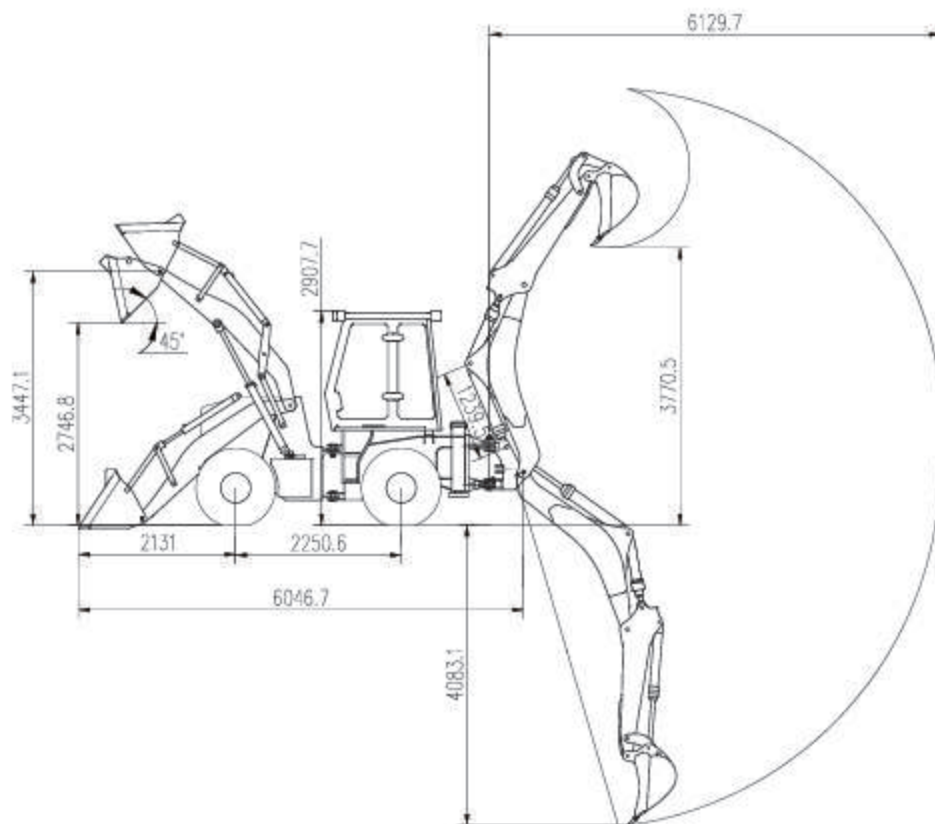
**WOLF**



CE

[Wolfloader.com](http://Wolfloader.com)

# BACKHOE LOADER WZ30-25



<b>Overall Dimension</b>	
L*W*H	6100×2268×3760(mm)
Wheel base	2250(mm)
Track	1640(mm)
Min. ground clearance	300(mm)
<b>Main Technical Specification</b>	
load hydraulic system	18Mpa
Dig hydraulic system	20Mpa
Steering hydraulic system	12Mpa
System flow	120L/min
Four-wheel drive	whole hydraulic system
Total operating weight	7600kg
Maximum speed	22Km/h
Maximum gradient capacity	30°
Loading bucket capacity	1m <sup>3</sup>
Rated loading	2500KG
Maximum articulated height of bucket	3400 (mm)
Bucket discharge height	2795(mm)
Bucket discharge distance	1048(mm)
Loading lift capacity	25KN
Bucket hydraulic translation function	yes
Bucket lift time	6.8s
Bucket lower time	2.5s
Bucket discharge time	1.2s
Maximum tractive force	39KN
Maximum breakout force	38KN
Backacter bucket capacity	0.3m <sup>3</sup>
Backacter discharge height	3878(mm)
Maximum digging depth	4080(mm)
Maximum digging radius	5688(mm)
Bucket slewing angle	190°
Bucket digging capacity	46KN
Bucket stick digging capacity	31KN
<b>Refill Capacity</b>	
Fuel tank	70L
Transmission	25L
Front axle	9KG
Rear axle	9KG

Hydraulic tank	140L
<b>Diesel engine</b>	
Model	CUMMINS 4BTA3.9-C100 YTR4108G60-1
Type	turbocharging four-stroke
Rated power	74KW/100HP 55KW/74HP
Rated speed	2200 r/min 2400 r/min
Cylinder –internal diameter	4—110 4-108
Maximum torque	310NM 261.7N.M/1800R/MIN
Minimum fuel consumption	245g/kw.h 216 g/kw.h
Displacement	4.5L 4.4L
<b>Transmission system</b>	
Model of hydraulic pump	fixed shaft power shift transmission
Gear shift	2forward shift 2 reverse shift
Torque	YJ-280
Drive pump	CDXaf3016-IL
Flow	16ml/r
Work pump	CBGj2063
Flow	63ml/r
<b>Steering system</b>	
Type	articulated hydraulic steering
Model of steering control valve	BZZ5-250
Model of turning control valve	YSF255-00
Steering angle	36±1°left or right 36±1°
Minimum turning radius	5018(mm)
<b>Wheel</b>	
Tire size	16/70-20
Front wheel pressure	0.22Mpa
Rear wheel pressure	0.20Mpa
Service braking	air over hydraulic disc on 4 wheels
Parking brake	manual parking brake
<b>Axles</b>	
Main transmission type	single reduction
Wheel reduction type	wheel reduction



**QINGDAO ZONGJIN ENGINEERING MACHINERY CO.,LTD.** [MAINLAND]

**WOLF EQUIPMENT PTE.LTD.** [SINGAPORE]



TEL: 0086-532-66739792

FAX: 0086-532-66739791

info@chinawheelloaders.com

WHATSAPP: 0086-13589171650

NO.88 CHUNYANG RD,CHENGYANG,  
QINGDAO,CHINA

**[www.wolfloader.com](http://www.wolfloader.com)**