



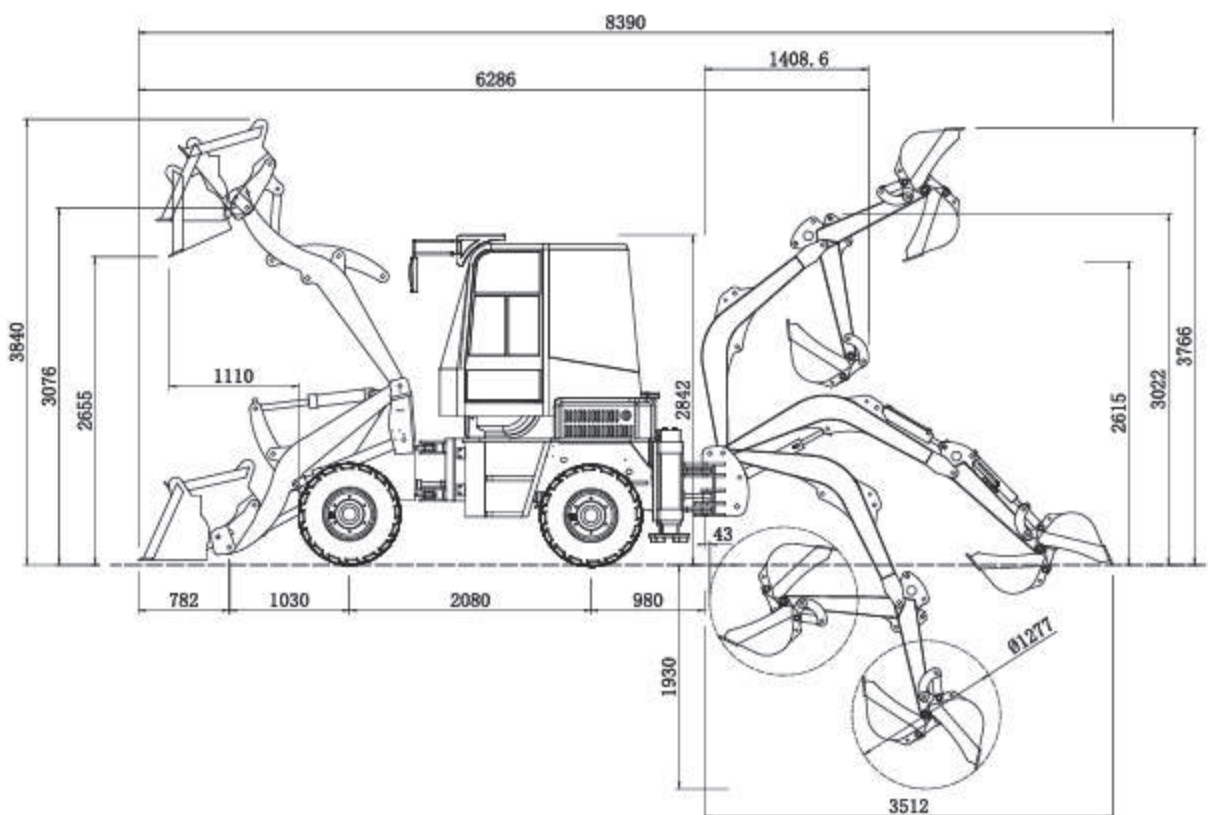
WOLF



CE

Wolfloader.com

BACKHOE LOADER WZ45-17



Specifications

L*W*H (mm)	8390×1960×2842
Overall weight(kg)	5000
Rated loading weight (kg)	1600
Wheel base (mm)	2080
Engine model	Yunnei/Xinchai/Yanmar
Rated Power of Engine(kw)	42/36.8/35.5
Work Pressure (Mpa)	16
Tire	20.5/70-16
Loading bucket capacity (m3)	0.7m ³
Rated Backhoe (m3)	0.2m ³
Max. Digging Depth (mm)	1930
Max.Dumping height (mm)	2655
Dumping distance (mm)	1110
Turning Angle of Movable Arm	180°





QINGDAO ZONGJIN ENGINEERING MACHINERY CO.,LTD. [MAINLAND]

WOLF EQUIPMENT PTE.LTD. [SINGAPORE]



TEL: 0086-532-66739792

FAX: 0086-532-66739791

info@chinawheelloaders.com

WHATSAPP: 0086-13589171650

NO.88 CHUNYANG RD,CHENGYANG,
QINGDAO,CHINA

www.wolfloader.com