



**WOLF**

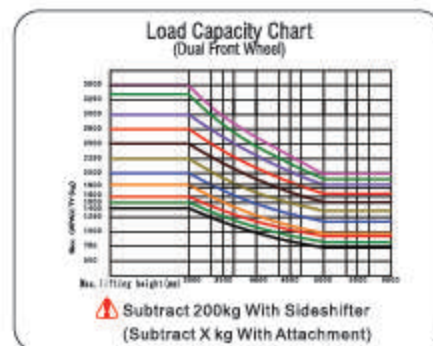
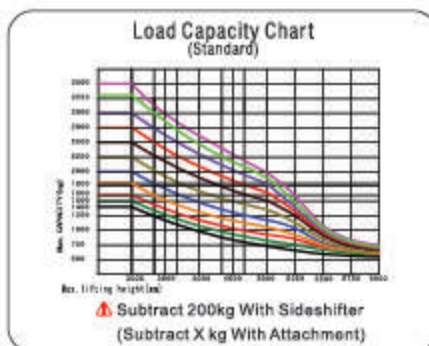
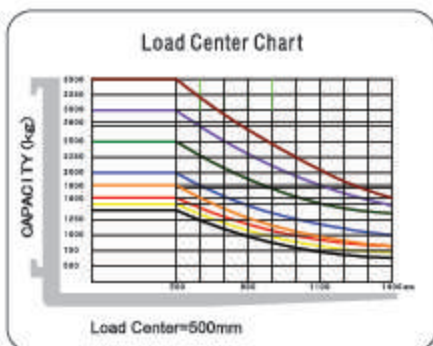


CE

[Wolfloader.com](http://Wolfloader.com)

# FORKLIFT

## ELECTRIC FORKLIFT TRUCK



# ADVANTAGES

## SAFETY AND STABILITY

- Most popular H type driving axle, optimized structure layout and improved efficiency.
- High power and large torque AC driving motor, large diameter body to export larger torque, heat radiating groove reserved for better heat exchange in case of extra-long-time use.
- Multifunctional display with using time, fault code, battery status, forklift running information.
- AC driving motor without brush, free of maintenance; low electric current, silent driving.
- Low gravity center thanks to relocated battery, greatly reinforcing steering stability.
- Steering circuit preference, to ensure safety in every turn when steering and lifting in the same time, and to save energy.
- Dual-controller design, one driving controller, the other control steering and lifting.
- Metal housing for better protection.
- Full LED lights.



## ERGONOMICS

- Optimized structure creates a large and comfortable operating room.
- Adjustable steering wheel column, the driver can adjust the position according to his need.
- Integrated light switch and steering wheel.
- Clear and wide view mast with good visibility.
- Intelligent mast collapse buffering.

## SERVICE ABILITY

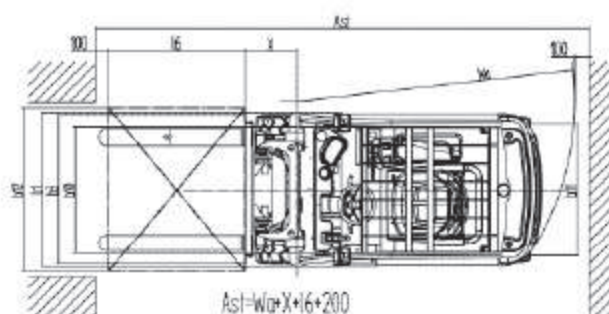
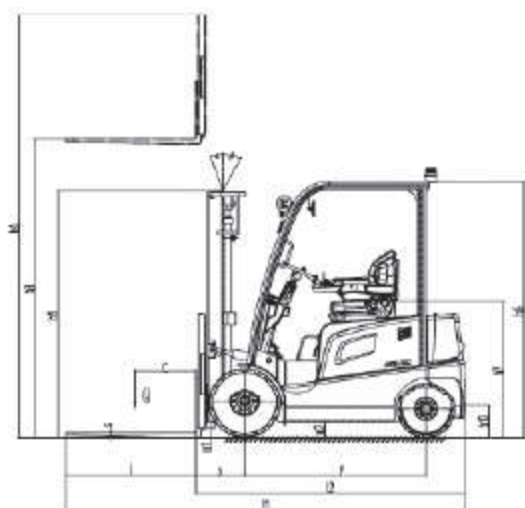
- Easy maintained controller and steering potentiometer.
- Brushless lifting and driving motor, reduced cost of ownership; external encoder, easy to replace and service.
- Over discharge protecting system: while the battery discharges less than 20%, the instrument warning light will turn on.
- Braking oil cup installed on the instrument panel, convenient to check and add braking oil.

## OPTIONAL

- Side-way battery box
- Electromagnetic valve
- Shock-absorbing chair, with power disconnect function
- Dual-front-wheels
- Adjustable lifting motor speed system
- Cold storage application
- Lithium battery

# FORKLIFT

## ELECTRIC FORKLIFT TRUCK



$$A_{sl} = W + X + 16 + 200$$

Model		WF20E(Semi-AC type)	WF20E(Full AC type)	WF25E(Semi-AC type)	WF25E(Full AC type)
Power		electric	electric	electric	electric
Operation type		seated	seated	seated	seated
Capacity/rated load	Q(Kg)	2000	2000	2500	2500
Load centre distance	c(mm)	500	500	500	500
Lift height	h <sub>3</sub> (mm)	3000-6000	3000-6000	3000-6000	3000-6000
Load distance, centre of drive axle to fork	x(mm)	395	395	445	445
Wheelbase	y(mm)	1480	1480	1480	1480
Service weight (with battery)	kg	3315	3500	4050	4150
Axle loading, laden front/rear	kg	4715/600	4815/685	5807/743	5857/793
Axle loading, unladen front/rear	kg	1545/1770	1635/1865	1829/2221	1859/2246
Tyre type		pneumatic/solid	pneumatic/solid	pneumatic/solid	pneumatic/solid
Tyre size, front	mm	6.50-10	6.50-10	23×9-10	23×9-10
Tyre size, rear	mm	5.00-8	5.00-8	18×7-8	18×7-8

Model		WF20E(Semi-AC type)	WF20E(Full AC type)	WF25E(Semi-AC type)	WF25E(Full AC type)
Wheels, number front rear (x=driven wheels)		<b>2x/2</b>	<b>2x/2</b>	<b>2x/2</b>	<b>2x/2</b>
Tread,front	b <sub>10</sub> (mm)	<b>930</b>	<b>930</b>	<b>970</b>	<b>970</b>
Tread,rear	b <sub>11</sub> (mm)	<b>920</b>	<b>920</b>	<b>970</b>	<b>970</b>
Tilt of mast/fork carriage forward/backward	Grad	<b>5/10</b>	<b>5/10</b>	<b>5/10</b>	<b>5/10</b>
Height, mast lowered	h <sub>1</sub> (mm)	<b>2015-2610</b>	<b>2015-2610</b>	<b>2050</b>	<b>2050</b>
Height, mast extended	h <sub>4</sub> (mm)	<b>4050-7050</b>	<b>4050-7050</b>	<b>4050-7050</b>	<b>4050-7050</b>
Height of overheard guard (cabin)	h <sub>6</sub> (mm)	<b>2100</b>	<b>2100</b>	<b>2100</b>	<b>2100</b>
Seat height/stand height	h <sub>7</sub> (mm)	<b>1040</b>	<b>1040</b>	<b>1040</b>	<b>1040</b>
Height of traction bolt	h <sub>10</sub> (mm)	<b>260</b>	<b>260</b>	<b>260</b>	<b>260</b>
Overall length	l <sub>1</sub> (mm)	<b>3270</b>	<b>3270</b>	<b>3310</b>	<b>3310</b>
Length to face of foils	l <sub>2</sub> (mm)	<b>2200</b>	<b>2200</b>	<b>2240</b>	<b>2240</b>
Overall width	b <sub>1</sub> (mm)	<b>1130</b>	<b>1130</b>	<b>1200</b>	<b>1200</b>
Fork dimensions	s/e/l(mm)	<b>40/120/1070</b>	<b>40/120/1070</b>	<b>40/120/1070</b>	<b>40/120/1070</b>
Fork carriage DIN 15173, class/type A,B		<b>2A</b>	<b>2A</b>	<b>2A</b>	<b>2A</b>
Fork-carriage width	b <sub>3</sub> (mm)	<b>1088</b>	<b>1088</b>	<b>1160</b>	<b>1160</b>
Ground clearance, laden, below mast	m <sub>1</sub> (mm)	<b>110</b>	<b>110</b>	<b>110</b>	<b>110</b>
Ground clearance, centre of wheelbase	m <sub>2</sub> (mm)	<b>115</b>	<b>115</b>	<b>110</b>	<b>110</b>
Aisle width for pallets 1000×1200 crossways	A <sub>st</sub> (mm)	<b>3600</b>	<b>3600</b>	<b>3700</b>	<b>3700</b>
Aisle width for pallets 800×1200 lengthways	A <sub>st</sub> (mm)	<b>3800</b>	<b>3800</b>	<b>3900</b>	<b>3900</b>
Turning radius	W <sub>4</sub> (mm)	<b>2080</b>	<b>2080</b>	<b>2180</b>	<b>2180</b>
Travel speed, laden/unladen	Km/h	<b>12/13</b>	<b>12/13</b>	<b>12/13</b>	<b>12/13</b>
Lift speed, laden/unladen	mm/s	<b>0.24/0.36</b>	<b>0.28/0.32</b>	<b>0.24/0.36</b>	<b>0.26/0.3</b>
Lowering speed, laden/unladen	mm/s	<b>0.36/0.42</b>	<b>0.36/0.42</b>	<b>0.36/0.42</b>	<b>0.36/0.42</b>
Max. gradeability, laden/unladen	%	<b>15/20</b>	<b>15/20</b>	<b>13/14</b>	<b>13/14</b>
Battery voltage, nominal capacity K5	V/Ah	<b>48/450</b> (500.560.630)	<b>48/500</b> (560.630)	<b>48/500</b> (560.630)	<b>48/560</b> (630)
Battery weight	Kg	<b>680</b>	<b>760</b>	<b>760/820/1055</b>	<b>820/1055</b>
Driving control system		<b>AC</b>	<b>AC</b>	<b>AC</b>	<b>AC</b>

#### OPTION:



- FB20R Lithium battery 350AH (Charger 48V/100A)
- FB25R Lithium battery 450AH (Charger 48V/200A)

#### REMARK:

- The data is based on the lifting height 3000mm; Lifting height from 3000mm to 6000mm are available;
- Electric controller selection (1)standard: Enpower (2)Option: Curtis, Inmotion, ZAPI.



**QINGDAO ZONGJIN ENGINEERING MACHINERY CO.,LTD.** [MAINLAND]

**WOLF EQUIPMENT PTE.LTD.** [SINGAPORE]



TEL: 0086-532-66739792

FAX: 0086-532-66739791

info@chinawheelloaders.com

WHATSAPP: 0086-13589171650

NO.88 CHUNYANG RD,CHENGYANG,  
QINGDAO,CHINA

**[www.wolfloader.com](http://www.wolfloader.com)**