



WOLF



CE

Wolfloader.com

SKID STEER LOADER

ZT50-ZT120

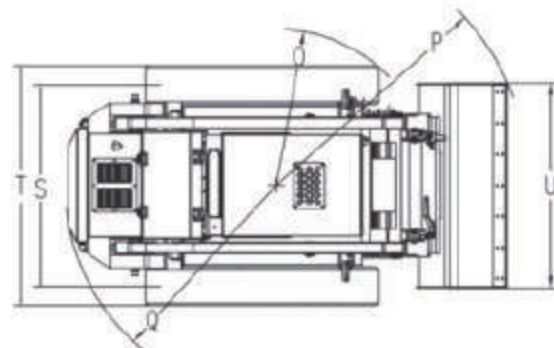
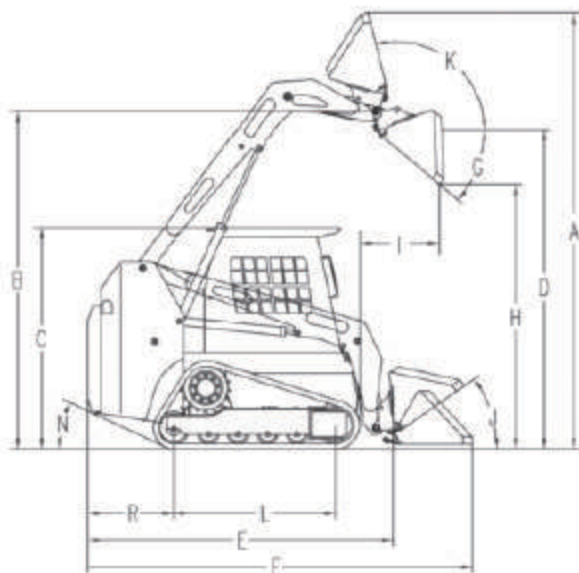


Specifications

	ZT50	ZT65	ZT75	ZT100	ZT120
Operating load (kg)	700	1000	1050	1200	1500
Max Speed (km/h)	10/15	12/18	12/18	12/18	12/18
Rated flux (L/min)	60	75	80	88	88
High Flow Flux (L/min)	/	/	120	140	140
Tire (track) model	300x52.5	320x84	320x84	320x84	450x86
Rated power (Kw)	36	55	55	74	103
Fuel tank capacity (L)	50	80	75	90	90
self weight bucket (kg)	2800	3800	3800	4500	4800
Bucket capacity (m³)	0.3	0.5	0.5	0.55	0.6

Dimension Parameter

	ZT50	ZT65	ZT75	ZT100	ZT120
A. Overall operating height (mm)	3350	3480	3480	4070	4070
B. Height to bucket hinge pin (mm)	2770	2900	2900	3150	3150
C. Height to top of cab (mm)	2050	2150	2150	2160	2160
D. Height to bottom of level bucket(mm)	2603	2730	2730	2983	2983
E. Without bucket length (mm)	2300	2750	2750	3000	3000
F. Overall length with bucket(mm)	2950	3500	3500	3700	3700
G. Dumping angle at maximum height(°)	40	40	40	40	40
H. Dumping height(mm)	2100	2230	2230	2450	2450
I. Dumping reach(mm)	790	715	715	700	700
J. Rollback of bucket on ground(°)	30	30	30	30	30
K. Rollback of bucket at full height(°)	104	104	104	104	104
L. Wheelbase(mm)	1240	1500	1500	1500	1500
M. Ground clearance(mm)	140	200	200	200	200
N. Angle of departure(°)	20	20	20	20	20
O. Front turning radius without bucket(mm)	1064	1298	1298	1365	1365
P. Front turning radius(mm)	1825	2010	2010	2200	2200
Q. Rear turning radius(mm)	1264	1714	1714	1742	1742
R. Rear axle to bumper (mm)	594	890	890	938	938
S. Thread width (mm)	1102	1462	1462	1654	1654
T. Width (mm)	1402	1782	1782	1994	2124
U. Bucket width (mm)	1500	1830	1830	2030	2160





QINGDAO ZONGJIN ENGINEERING MACHINERY CO.,LTD. [MAINLAND]

WOLF EQUIPMENT PTE.LTD. [SINGAPORE]



TEL: 0086-532-66739792

FAX: 0086-532-66739791

info@chinawheelloaders.com

WHATSAPP: 0086-13589171650

NO.88 CHUNYANG RD,CHENGYANG,
QINGDAO,CHINA

www.wolfloader.com