



WOLF



CE

Wolfloader.com

WOLF

BACKHOE LOADER



BACKHOE LOADER USAGE SCENARIOS



COMMITTED TO EFFICIENCY



WOLF backhoe loaders adopt 4-wheel drive and hydraulic pilot control, and they are featured with flexible operation, comfort and stable performance. Due to their versatility, they are widely used in road maintenance, urban engineering, farmland construction, pipeline laying, landscaping and so on.

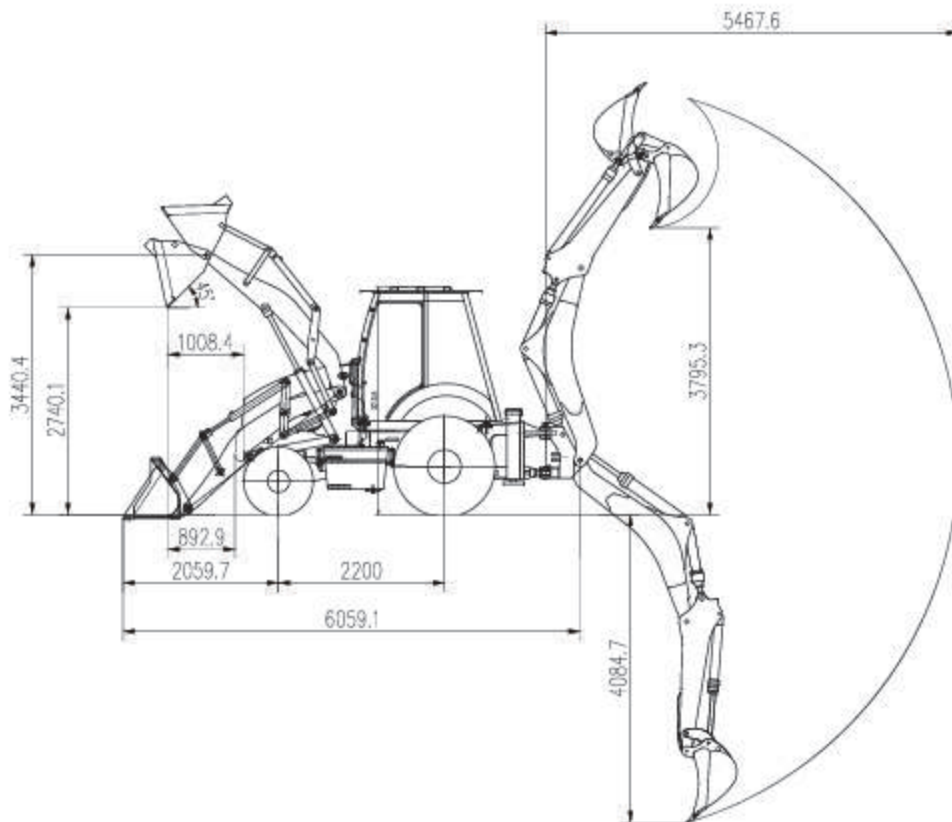
The loading end could be equipped with bucket, pallet fork and sweeper etc.

The digging end could be equipped with working tools such as backhoe, hammer, auger etc.



BACKHOE LOADER

JX45



Specifications

Transport Dimension

L*W*H (mm)	6100×2217×3764
Overall Operating Weight	8125KG
Wheel base	2200mm
Min. Ground Clearance	300mm
Bucket Capacity	1.0m ³
Breakout Force	38KN
Loading Lifting Capacity	2500KG
Bucket Dumping Height	2742mm
Bucket Dumping Distance	1062mm
Digging Depth	52mm
Backhoe Capacity	0.3m ³
Max. Digging Depth	4082mm
Swing Angle of Excavator Grab	190°
Max. Pulling Force	39KN

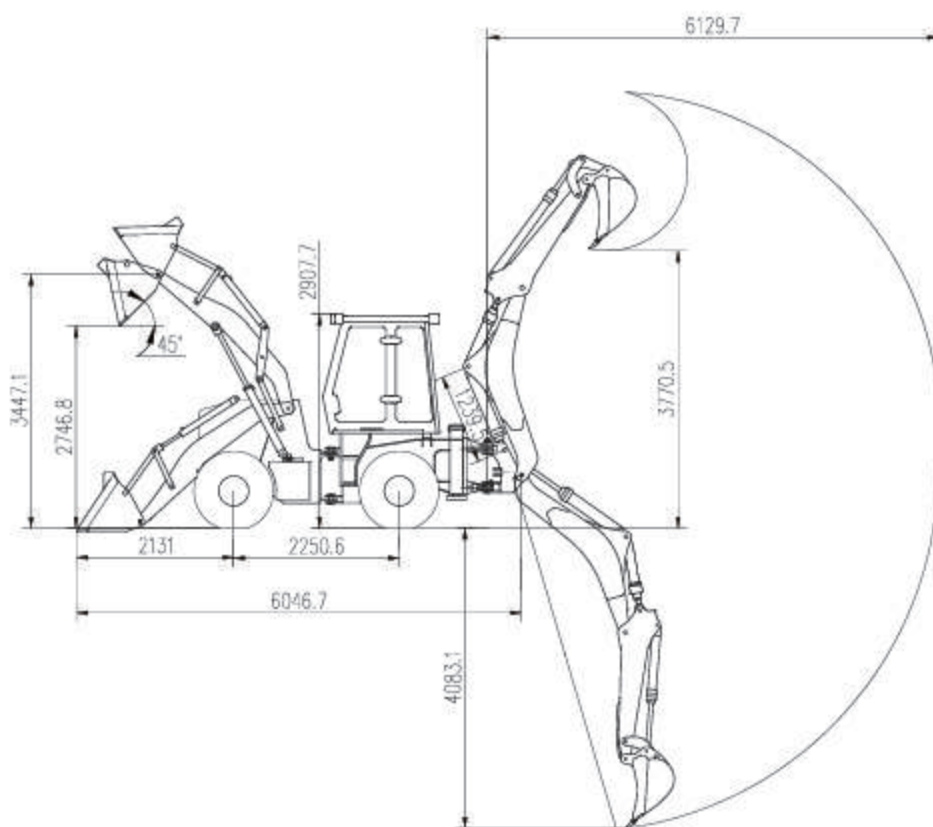
Engine

Model	YT4B2-G60Q
Cylinder-Inside Diameter*Stroke	4-110×120
Rated Power	55KW
Rated Speed	2400r/min
Min. Fuel Consumption	≤216g/km.h
Max.Torque	≥261.7N.M/1800r/min
Displacement	4.4L

Tyre

Model	14-17.5/19.5L-24
Pressure of Front wheel	0.22 Mpa
Pressure of Back Wheel	0.22 Mpa

BACKHOE LOADER WZ30-25



Overall Dimension	
L*W*H	6100×2268×3760(mm)
Wheel base	2250(mm)
Track	1640(mm)
Min. ground clearance	300(mm)
Main Technical Specification	
load hydraulic system	18Mpa
Dig hydraulic system	20Mpa
Steering hydraulic system	12Mpa
System flow	120L/min
Four-wheel drive	whole hydraulic system
Total operating weight	7600kg
Maximum speed	22Km/h
Maximum gradient capacity	30°
Loading bucket capacity	1m ³
Rated loading	2500KG
Maximum articulated height of bucket	3400 (mm)
Bucket discharge height	2795(mm)
Bucket discharge distance	1048(mm)
Loading lift capacity	25KN
Bucket hydraulic translation function	yes
Bucket lift time	6.8s
Bucket lower time	2.5s
Bucket discharge time	1.2s
Maximum tractive force	39KN
Maximum breakout force	38KN
Backacter bucket capacity	0.3m ³
Backacter discharge height	3878(mm)
Maximum digging depth	4080(mm)
Maximum digging radius	5688(mm)
Bucket slewing angle	190°
Bucket digging capacity	46KN
Bucket stick digging capacity	31KN
Refill Capacity	
Fuel tank	70L
Transmission	25L
Front axle	9KG
Rear axle	9KG

Hydraulic tank	140L
Diesel engine	
Model	CUMMINS 4BTA3.9-C100
	YTR4108G60-1
Type	turbocharging four-stroke
Rated power	74KW/100HP
	55KW/74HP
Rated speed	2200 r/min
	2400 r/min
Cylinder –internal diameter	4—110 4-108
Maximum torque	310NM 261.7N.M/1800R/MIN
Minimum fuel consumption	245g/kw.h
	216 g/kw.h
Displacement	4.5L
	4.4L
Transmission system	
Model of hydraulic pump	fixed shaft power shift transmission
Gear shift	2forward shift 2 reverse shift
Torque	YJ-280
Drive pump	CDXaf3016-IL
Flow	16ml/r
Work pump	CBGj2063
Flow	63ml/r
Steering system	
Type	articulated hydraulic steering
Model of steering control valve	BZZ5-250
Model of turning control valve	YSF255-00
Steering angle	36±1°left or right 36±1°
Minimum turning radius	5018(mm)
Wheel	
Tire size	16/70-20
Front wheel pressure	0.22Mpa
Rear wheel pressure	0.20Mpa
Service braking	air over hydraulic disc on 4 wheels
Parking brake	manual parking brake
Axles	
Main transmission type	single reduction
Wheel reduction type	wheel reduction

Specifications

L*W*H (mm)	8390×1960×2842
Overall weight(kg)	5000
Rated loading weight (kg)	1600
Wheel base (mm)	2080
Engine model	Yunnei/Xinchai/Yanmar
Rated Power of Engine(kw)	42/36.8/35.5
Work Pressure (Mpa)	16
Tire	20.5/70-16
Loading bucket capacity (m3)	0.7m ³
Rated Backhoe (m3)	0.2m ³
Max. Digging Depth (mm)	1930
Max.Dumping height (mm)	2655
Dumping distance (mm)	1110
Turning Angle of Movable Arm	180°





QINGDAO ZONGJIN ENGINEERING MACHINERY CO.,LTD. [MAINLAND]

WOLF EQUIPMENT PTE.LTD. [SINGAPORE]



TEL: 0086-532-66739792

FAX: 0086-532-66739791

info@chinawheelloaders.com

WHATSAPP: 0086-13589171650

NO.88 CHUNYANG RD,CHENGYANG,
QINGDAO,CHINA

www.wolfloader.com