



Always be here with you!



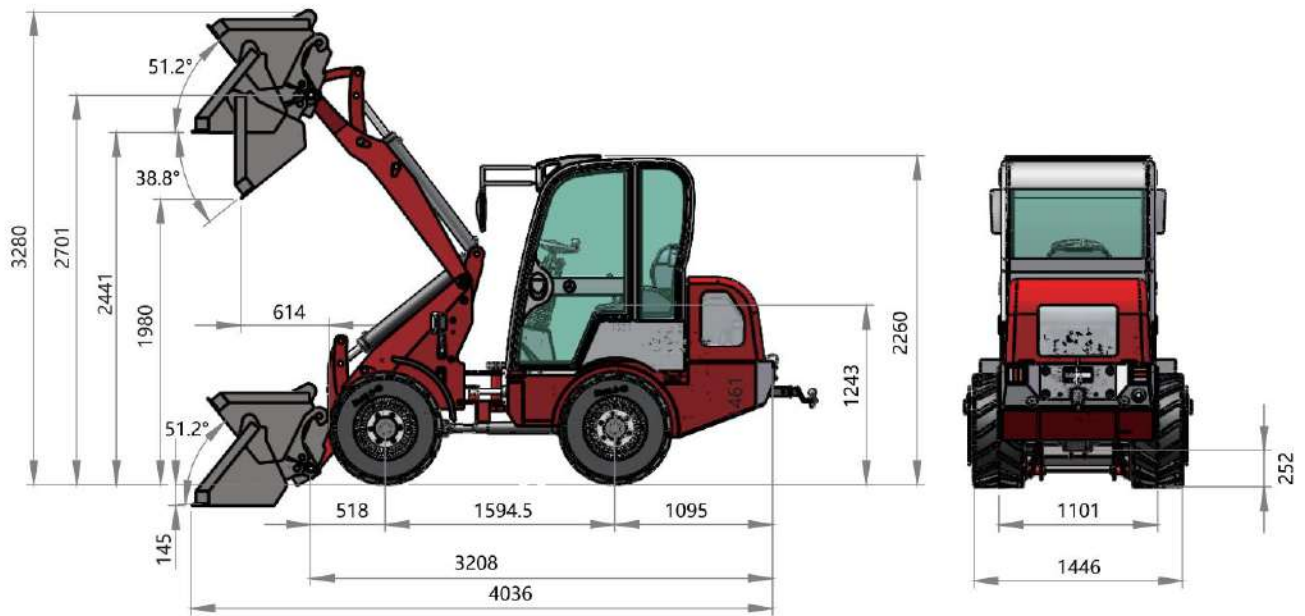
CE

WHEEL LOADER MINI 780H



Specifications

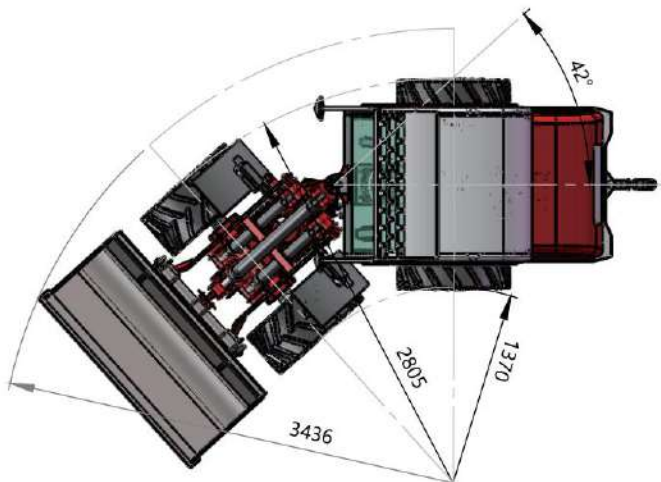
Engine Model:	KUBOTA V1505 E5 / EPA
Rated Power(kw):	18.2
Rated Speed(rpm):	2300
Rated load(kg):	800
Rated Bucket Capacity(m3):	0.3-0.4
Overall Size LxWxH(mm):	4036×1446×2260
Wheel base (mm):	1595
Wheel thread(mm):	1101
Max.breakout force (KN):	50
Max.dump height(mm):	1980
Dump distance(mm):	614
Total time(s):	7.3
Operating Weight(kg):	2500
Tyre:	10-16.5/29×12.5-15/31×15.5-15



OPERATOR COMFORT

Full wrap-around glass cabin for 360 ° operational view for precise execution of works

- Ergonomic cabin with personalized amenities includes air-conditioning
- Pilot joystick control and transmission wrist speed control for ease of operation
- Noise and shock reduction cabin with ROPS/FOPS for reduced operator's fatigue and increased safety





QINGDAO ZONGJIN ENGINEERING MACHINERY CO.,LTD.

WOLF (QINGDAO) EQUIPMENT CO.,LTD.



Tel: 0086-532-66739792

Email: info@chinawheelloaders.com

WeChat/Whatsapp: +8613589171650

Address: No.88 Chunyang Rd,Chengyang,Qingdao,China