



Always be here with you!



CE

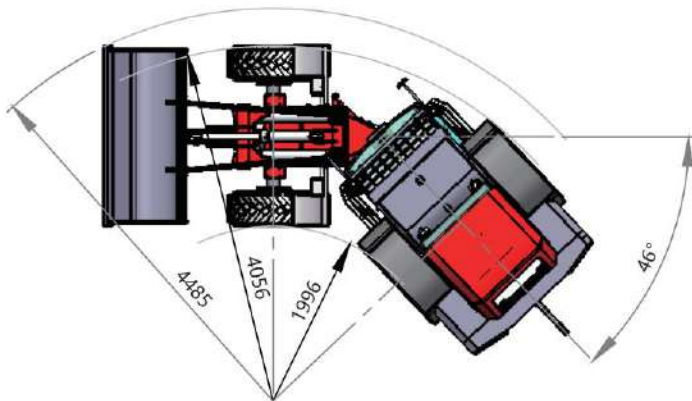
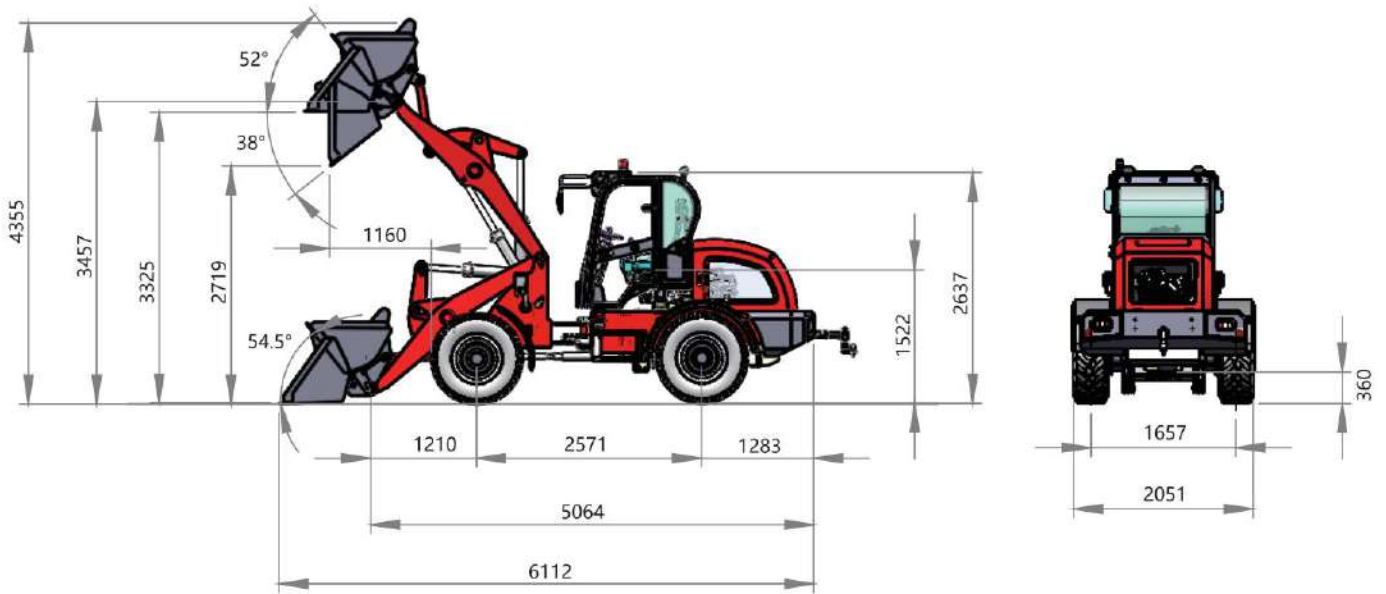
WHEEL LOADER

WL825



Specifications

Bucket Capacity(Cbm):	1.0-1.2
Rated Load(Kg):	2000
Overall Weight(Kg):	5000
Max.Dumping height(mm):	2719
Standard Engine:	CHANGCHAI 4G33
Rated Power(Kw):	70
Rated Speed(R/min):	2400
WheelBase(mm):	2571
Wheel Thread(mm):	1657
L×W×H (mm):	6112×2051×2637
Standard Tire:	16/70-20



DESCRIPTION

Reinforced chassis design to withstand the roughest terrains and extreme climatic conditions

Newly designed engine cover for better access to the engine bay for easy maintenance

Wide range of attachments to perform different applications

High levels of customizations can be made to suit the requirements of end-users from various industries





QINGDAO ZONGJIN ENGINEERING MACHINERY CO.,LTD.

WOLF (QINGDAO) EQUIPMENT CO.,LTD.



Tel: 0086-532-66739792

Email: info@chinawheelloaders.com

WeChat/Whatsapp: +8613589171650

Address: No.88 Chunyang Rd,Chengyang,Qingdao,China