



*Always be here with you!*



CE

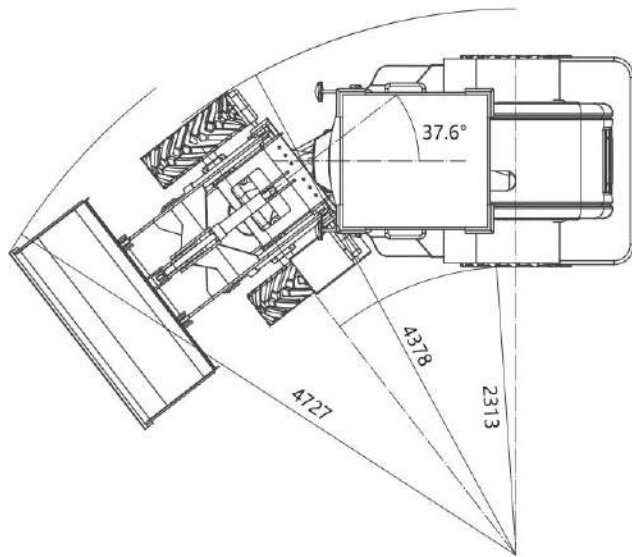
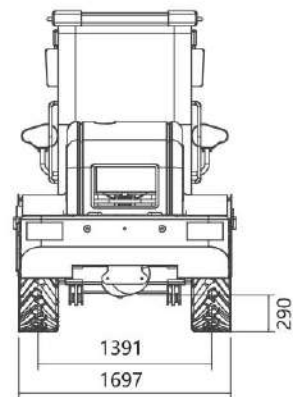
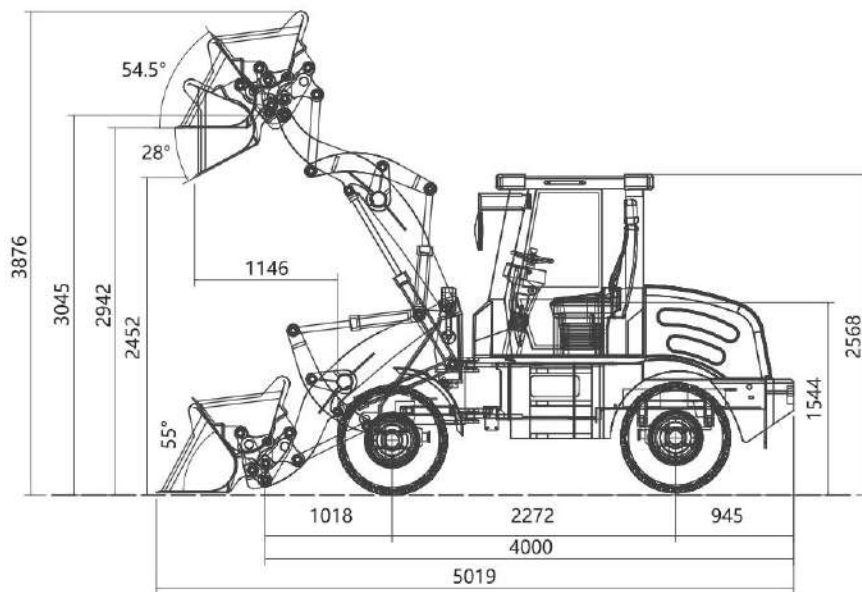
# WHEEL LOADER

## WL150



### Specifications

Engine Model:	<b>XINCHAI C490BPG E3</b>
Rated Power(kw):	<b>36.8</b>
Rated Speed(rpm):	<b>2650</b>
Rated load(kg):	<b>1500</b>
Rated Bucket Capacity(m3):	<b>0.5-0.9</b>
Overall Size LxWxH(mm):	<b>5019×1697×2568</b>
Wheel base (mm):	<b>2272</b>
Wheel thread(mm):	<b>1391</b>
Max.breakout force (KN):	<b>48</b>
Max.dump height(mm):	<b>2452</b>
Dump distance(mm):	<b>1146</b>
Total time(s):	<b>11</b>
Operating Weight(kg):	<b>3600</b>
Tyre:	<b>1200-16/12-16.5/20.5/70-16/23.5-16</b>



## DESCRIPTION

When you choose EPA Tier 4 Engine, you will get a WL150 loader with new style engine hood.





QINGDAO ZONGJIN ENGINEERING MACHINERY CO.,LTD.

WOLF (QINGDAO) EQUIPMENT CO.,LTD.



Tel: 0086-532-66739792

Email: [info@chinawheelloaders.com](mailto:info@chinawheelloaders.com)

WeChat/Whatsapp: +8613589171650

Address: No.88 Chunyang Rd,Chengyang,Qingdao,China