



*Always be here with you!*



CE

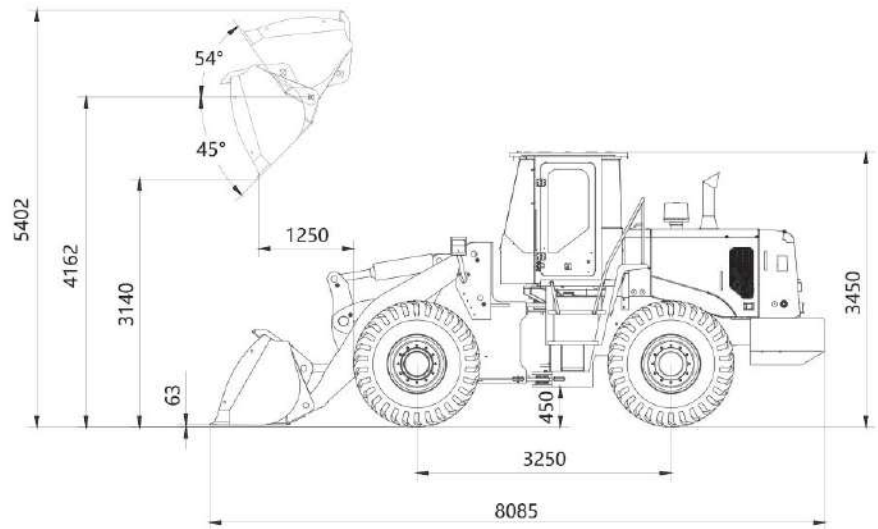
# WHEEL LOADER

## WL500



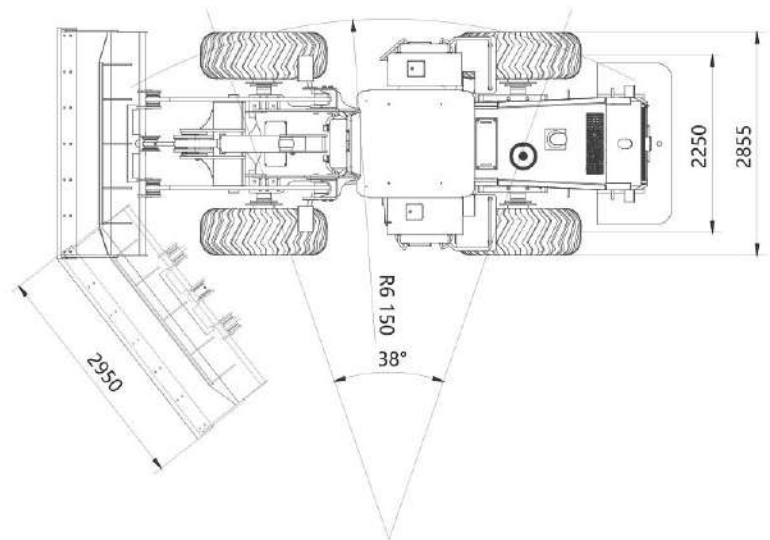
### Specifications

Engine Model:	<b>WEICHAI WD10G220E22</b>
Rated Power(kw):	<b>162</b>
Rated Speed(rpm):	<b>2200</b>
Rated load(kg):	<b>5000</b>
Rated Bucket Capacity(m <sup>3</sup> ):	<b>3</b>
Overall Size LxWxH(mm):	<b>8085×2855×3450</b>
Wheel base (mm):	<b>3250</b>
Wheel thread(mm):	<b>2250</b>
Max.breakout force (KN):	<b>170</b>
Max.dump height(mm):	<b>3140</b>
Dump distance(mm):	<b>1250</b>
Total time(s):	<b>10.95</b>
Operating Weight(kg):	<b>17100</b>
Tyre:	<b>23.5-25</b>



## DESCRIPTION

Pickup brooms let you sweep up dust and debris, and haul it away or deposit it in a dumpster.





QINGDAO ZONGJIN ENGINEERING MACHINERY CO.,LTD.

WOLF (QINGDAO) EQUIPMENT CO.,LTD.



Tel: 0086-532-66739792

Email: [info@chinawheelloaders.com](mailto:info@chinawheelloaders.com)

WeChat/Whatsapp: +8613589171650

Address: No.88 Chunyang Rd,Chengyang,Qingdao,China