



Always be here with you!



CE

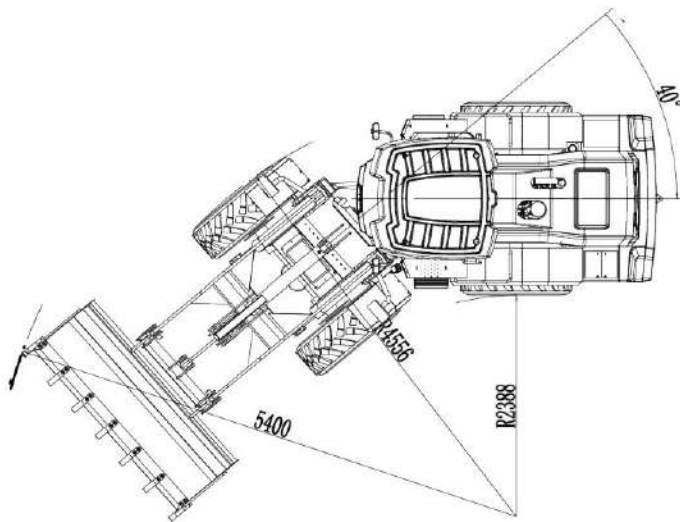
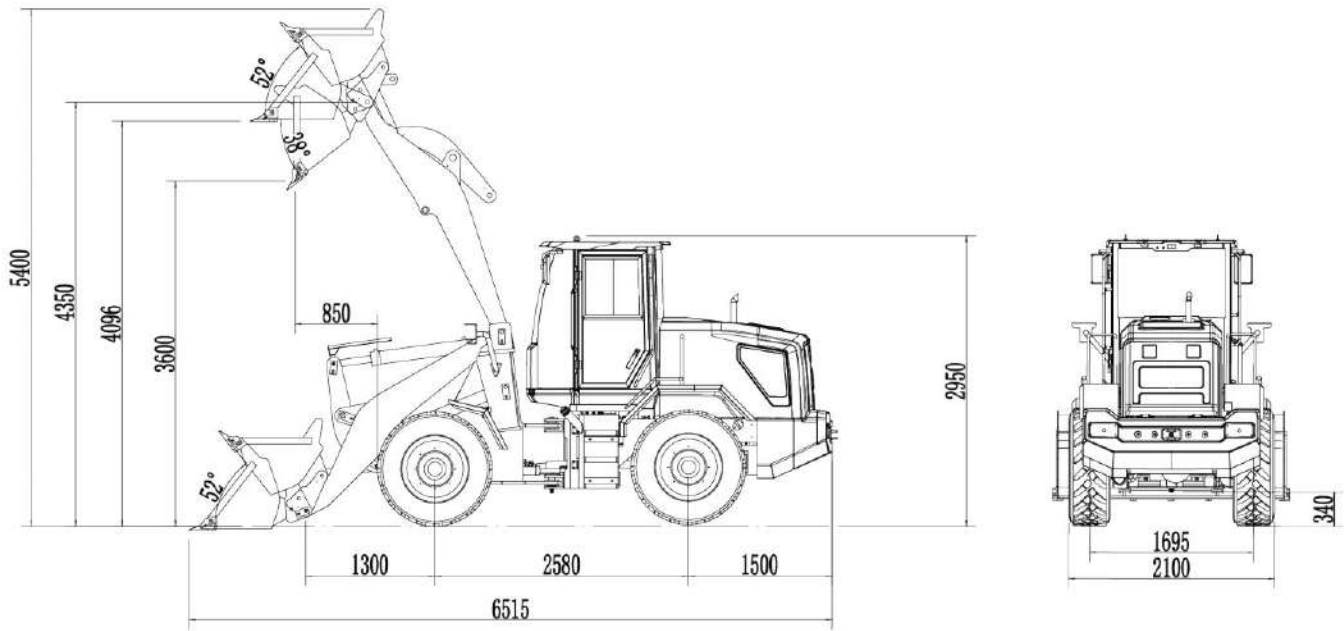
WHEEL LOADER

WL930



Specifications

| | |
|--------------------------|------------------------------|
| Bucket Capacity(Cbm): | 1.2 |
| Rated Load(Kg): | 2700 |
| Overall Weight(Kg): | 6500 |
| Max. Dumping Height(mm): | 3600 |
| Standard Engine: | WEICHAI HF 4RMAZG |
| Rated Power(Kw): | 83 |
| Rated Speed(R/Min): | 2400 |
| Optional Engine: | YTO/CUMMINS/CHANGCHAI/YUNNEI |
| Wheel Base(mm): | 2580 |
| Wheel Thread(mm): | 1695 |
| L×W×H (mm): | 6515×2100×2950 |
| Standard Tire: | 16/70-24 |



DESCRIPTION

The WL930 wheel loader is a cost-effective option for small landscaping, material handling, and snow removal jobs all year round. Its skid-steer-style or euro standard quick hitch allows for versatile use with multiple attachments to suit different needs. The engine is low-maintenance, and the loader is designed with basic features to keep it simple and affordable. The WL930 has a 1.3 m³ bucket and a rated load of 2.7 tons. It can be equipped with either an EPA Tier 4 engine or a Euro V engine. The operator cab features A/C, AM/FM and USB radio, and is ROPS/FOPS certified with excellent 360-degree visibility for a comfortable and safe working environment.





QINGDAO ZONGJIN ENGINEERING MACHINERY CO.,LTD.

WOLF (QINGDAO) EQUIPMENT CO.,LTD.



Tel: 0086-532-66739792

Email: info@chinawheelloaders.com

WeChat/Whatsapp: +8613589171650

Address: No.88 Chunyang Rd,Chengyang,Qingdao,China